

NOTES:

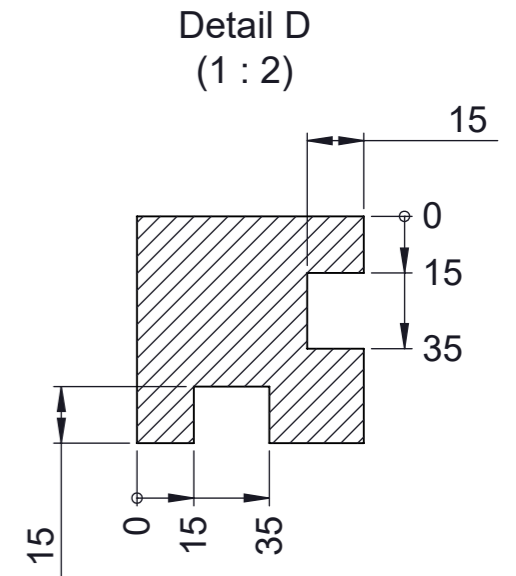
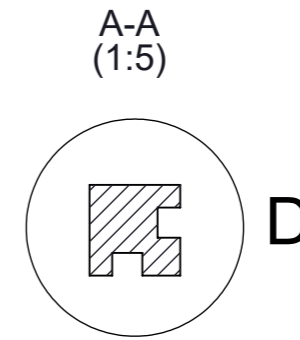
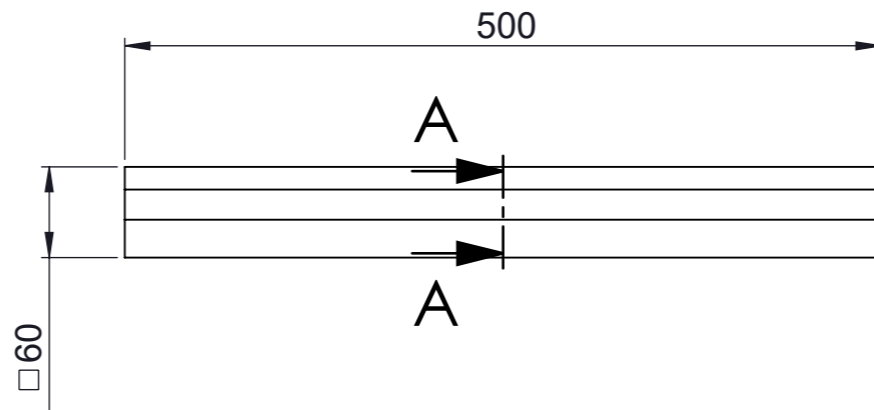
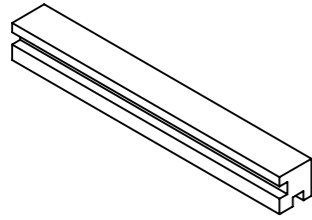
- 4x INOX M8/M10 wing nuts fitted underneath,
- Rubber/INOX feet to adapt to uneven ground,
- INOX hinges
- Protection: UV resistant paint/natural wood oil
- Optional: lock

12	1	/	Bar 60x60x500	Part
11	2	/	Slat 50x20x990	Kos
10	3	/	Slat 60x25x990	Part
9	2	/	Bar 60x60x990	Part
8	2	/	Bar 60x60x440	Part
7	4	/	Rubber Foot PHI50/M10	Part
6	12	/	Slat 60x20x616	Part
5	15	/	Slat 60x20x1110	Part
4	1	/	Bar 60x60x500	Part
3	3	/	Bar 60x60x1110	Part
2	4	/	Bar 60x60x616	Part
1	2	/	Bar 60x60x500	Part
Pos.	Qty.	PartNo.	Description	ME

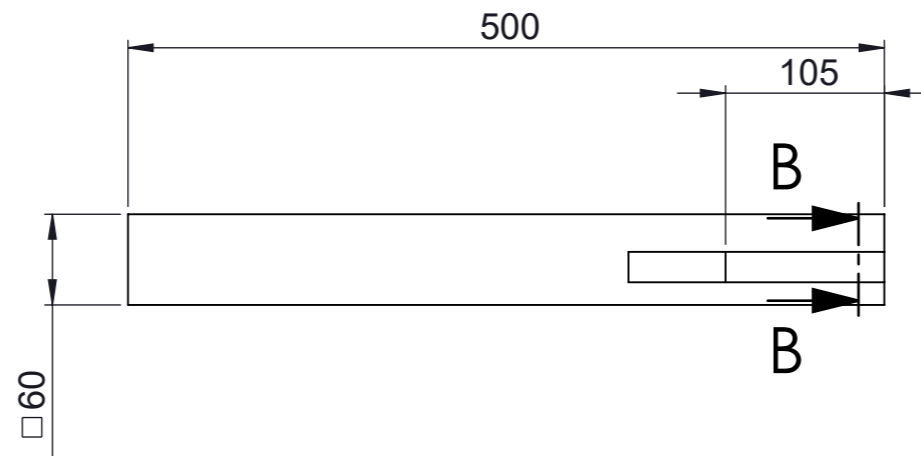
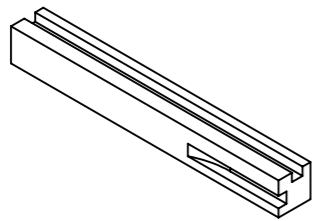
Florian's Workshop 1000 Ljubljana	Project:	Garden Closet 1200x706x500
	Scale:	1 : 10, (1:20)
	Made by:	Remšak F.
	Date:	7.5.2023
	Page:	1 / 6

PARTS (1/3)

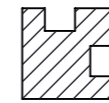
Bar
- 60x60x500, Pos. 1, 2 pcs.



Corner Bar (L)
- 60x60x500, Pos. 4, 1 pcs.

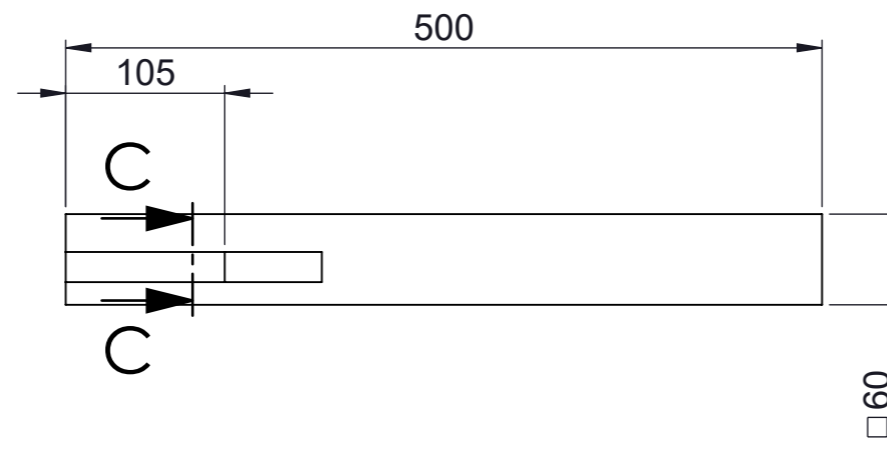
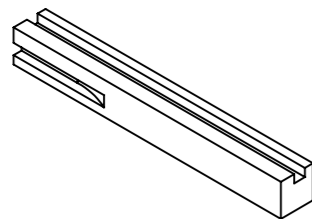


B-B
(1:5)

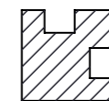


The grooves are the same as on other corner profiles. They differ in that one of the grooves extends only 105 mm into the groove (to insert one slat).

Corner Bar (R)
- 60x60x500, Pos. 14, 1 pcs.



C-C
(1:5)

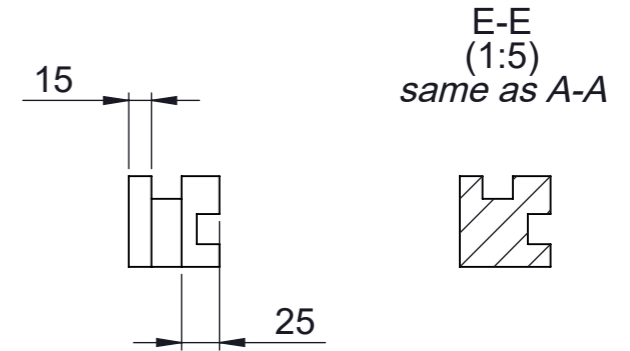
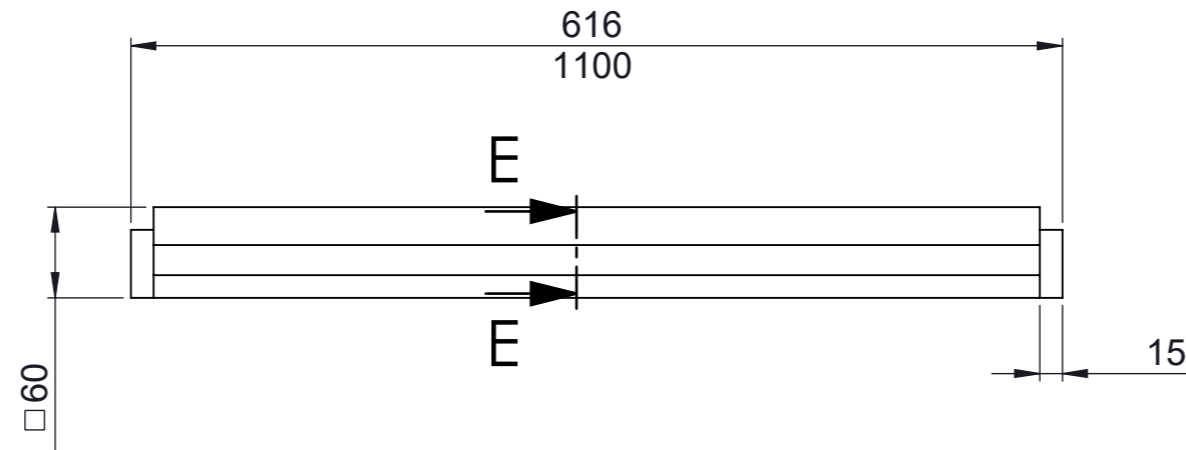
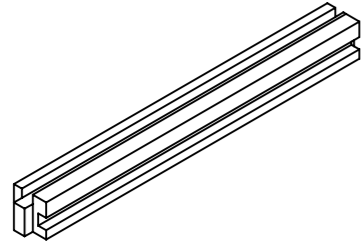


Florian's Workshop 1000 Ljubljana	Project:	Garden Closet 1200x706x500
	Scale:	1:5, (1:2), (1:10)
	Made by:	Remšak F.
	Date:	7.5.2023
	Page:	2/6

PARTS (2/3)

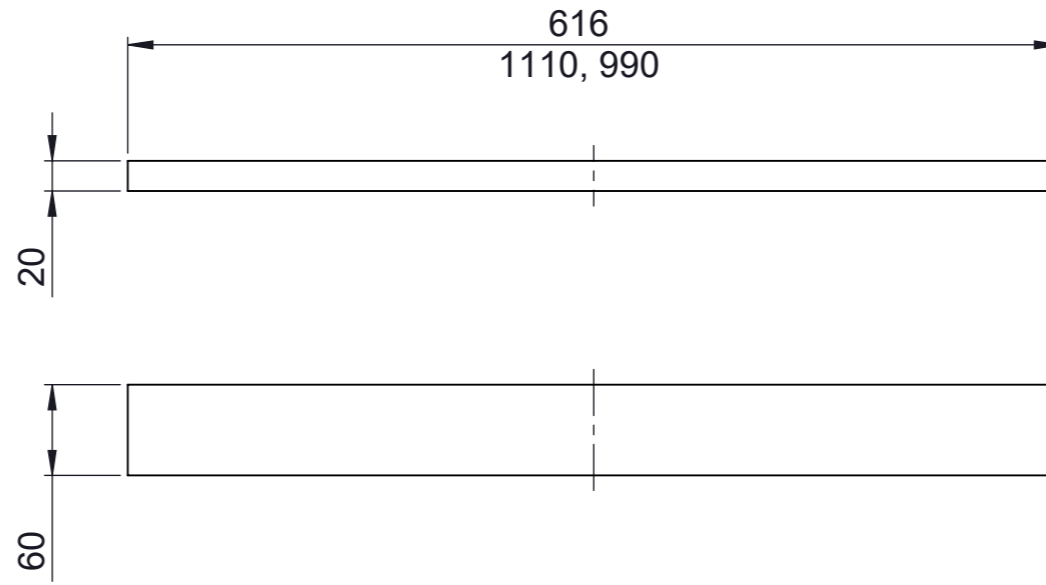
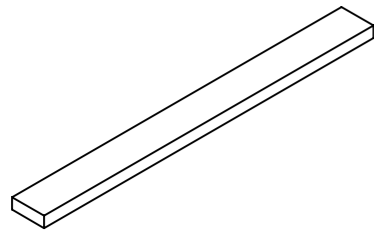
Corner bar

- 60x60x616, Pos. 2, 4 pcs.
- 60x60x1100, Pos. 3, 3 pcs.



Slat

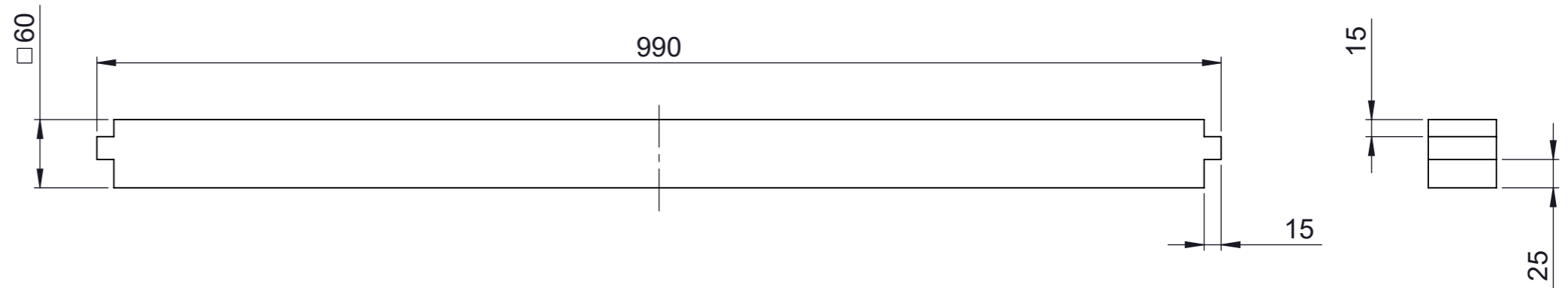
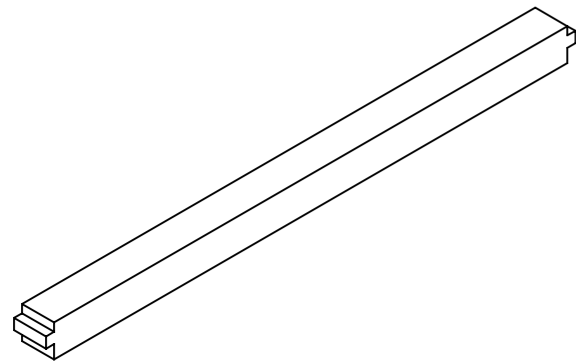
- 60x20x616, Pos. 7, 12 pcs.
- 60x20x1110, Pos. 5, 15 pcs.
- 60x20x990, Pos. 12 (door), 5 pcs.



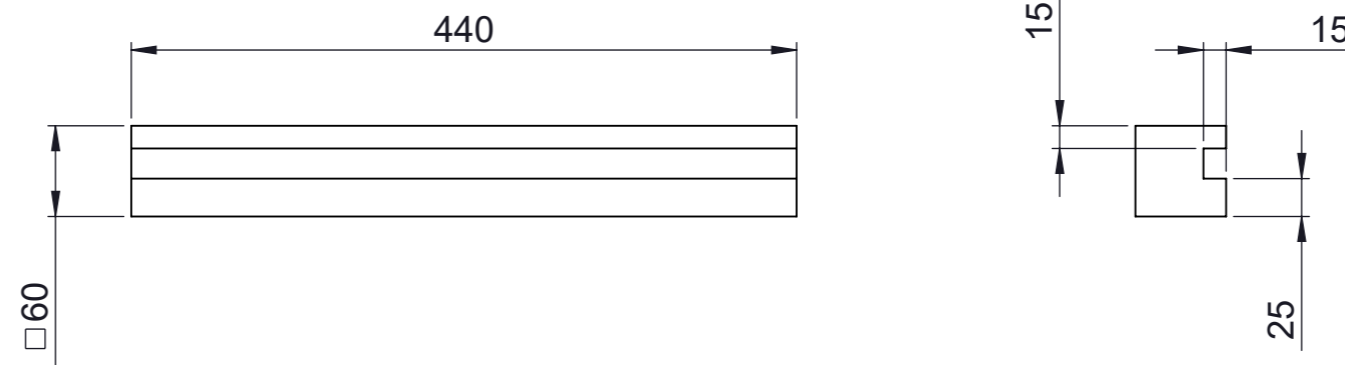
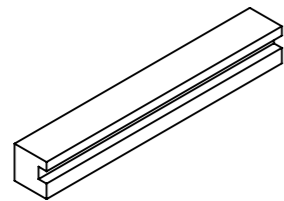
Florian's Workshop 1000 Ljubljana	Project:	Garden Closet 1200x706x500
	Scale:	1 : 5, (1:10)
	Made by:	Remšak F.
	Date:	7.5.2023
	Page:	3 / 6

PARTS (3/3)

Bar (doors)
- 60x60x990, Pos. 11, 2 pcs.

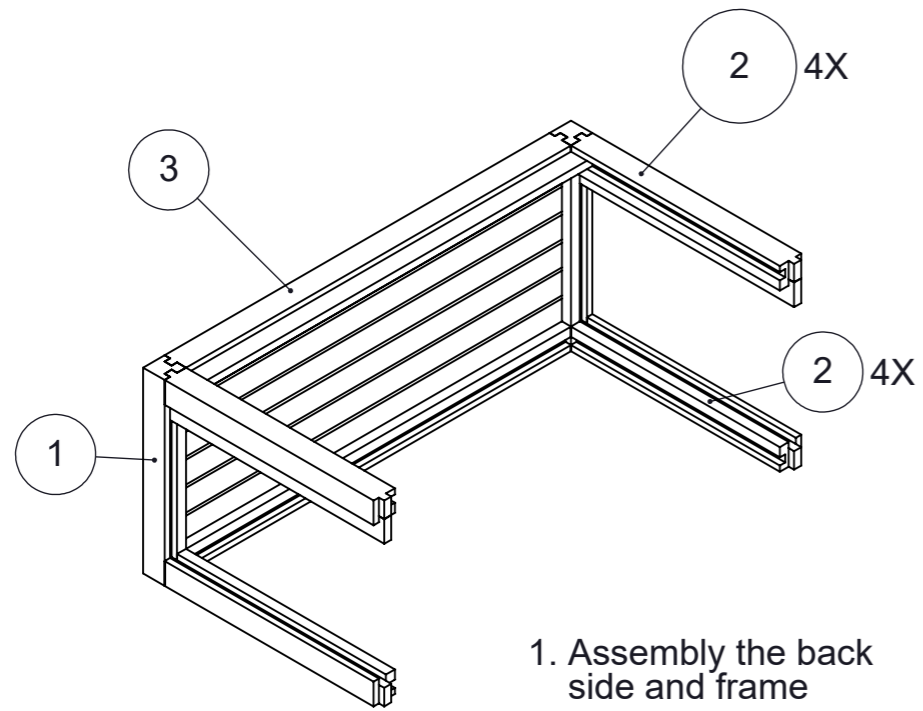


Bar (doors)
- 60x60x440, Pos. 10, 2 pcs.

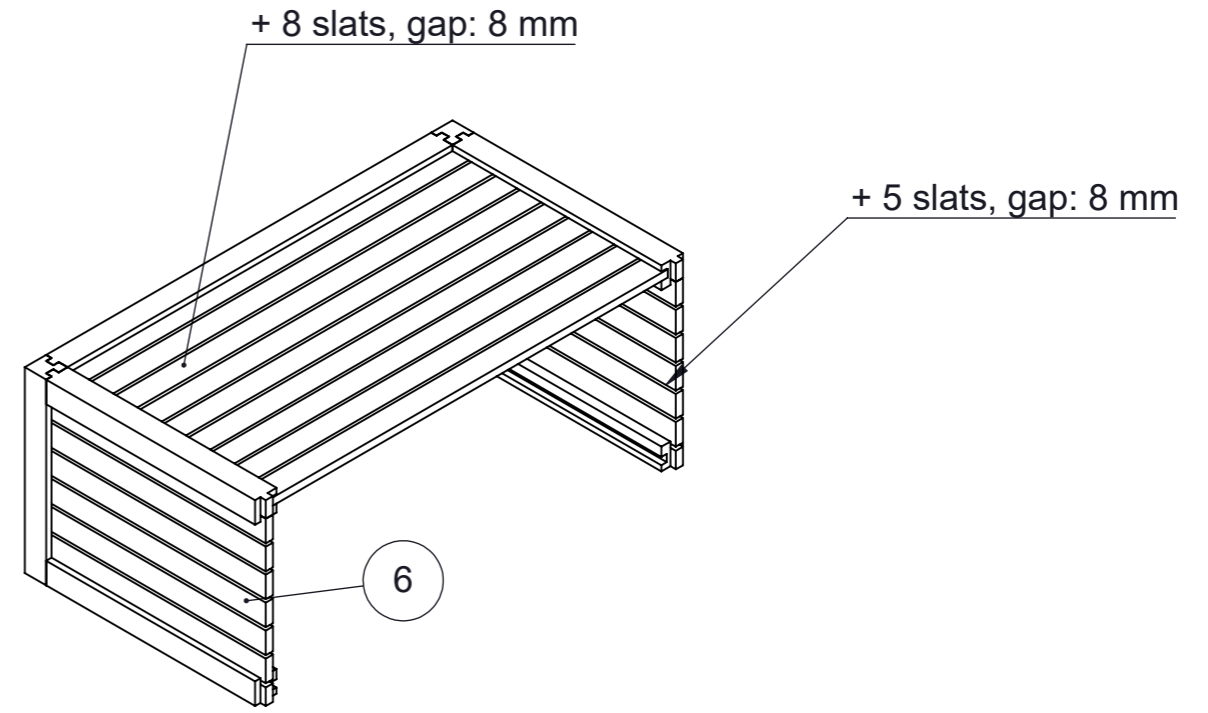


Florian's Workshop 1000 Ljubljana	Project:	Garden Closet 1200x706x500
	Scale:	1 : 5, (1:10)
	Made by:	Remšak F.
	Date:	7.5.2023
	Page:	4 / 6

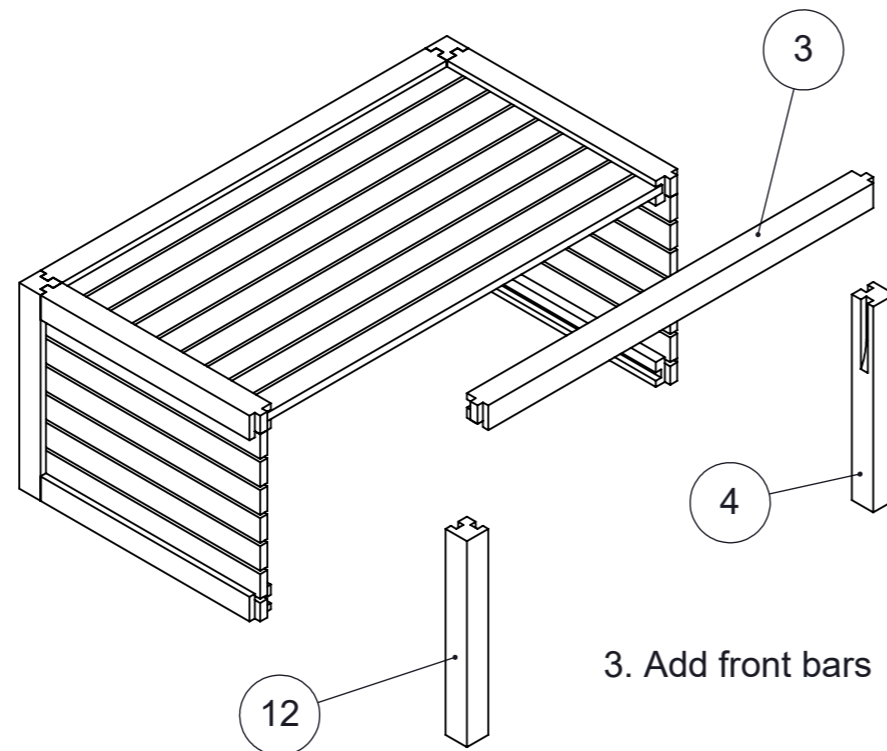
ASSEMBLYING



1. Assembly the back side and frame



2. Add slats

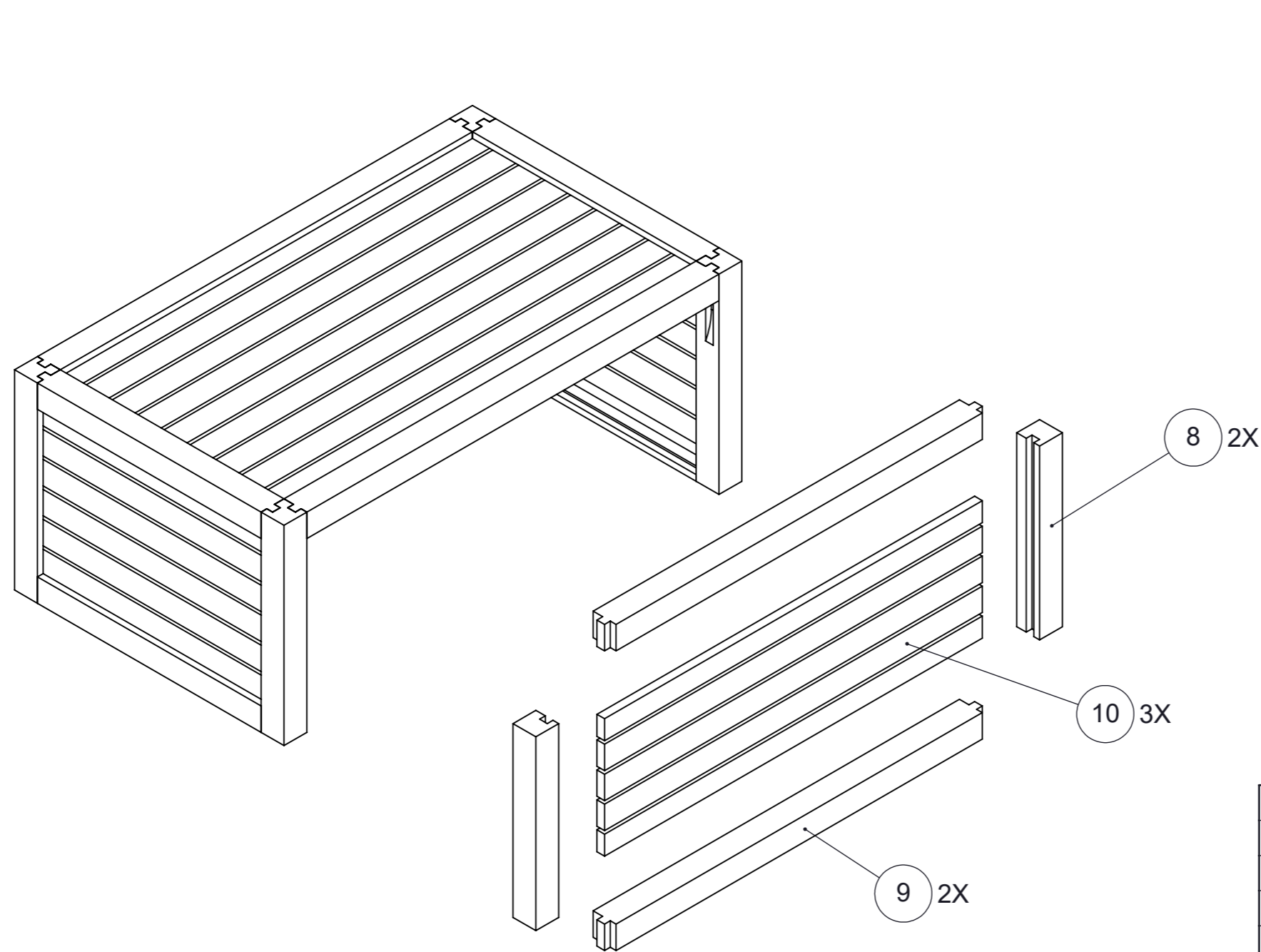


3. Add front bars

12	1	/	Bar 60x60x500	Part
11	2	/	Slat 50x20x990	Kos
10	3	/	Slat 60x25x990	Part
9	2	/	Bar 60x60x990	Part
8	2	/	Bar 60x60x440	Part
7	4	/	Rubber Foot PHI50/M10	Part
6	12	/	Slat 60x20x616	Part
5	15	/	Slat 60x20x1110	Part
4	1	/	Bar 60x60x500	Part
3	3	/	Bar 60x60x1110	Part
2	4	/	Bar 60x60x616	Part
1	2	/	Bar 60x60x500	Part

Pos.	Qty.	PartNo.	Description	ME
Project:			Garden Closet 1200x706x500	
Scale:			1 : 15	
Made by:			Remšak F.	
Date:			7.5.2023	
Page:			5 / 6	

ASSEMBLYING DOORS



In the end, drill holes at the bottom and insert wing nut, then screw in the rubber feet. To attach the door, add hinges.

12	1	/	Bar 60x60x500	Part
11	2	/	Slat 50x20x990	Kos
10	3	/	Slat 60x25x990	Part
9	2	/	Bar 60x60x990	Part
8	2	/	Bar 60x60x440	Part
7	4	/	Rubber Foot PHI50/M10	Part
6	12	/	Slat 60x20x616	Part
5	15	/	Slat 60x20x1110	Part
4	1	/	Bar 60x60x500	Part
3	3	/	Bar 60x60x1110	Part
2	4	/	Bar 60x60x616	Part
1	2	/	Bar 60x60x500	Part
Pos.	Qty.	PartNo.	Description	ME