

**NOTES:**

- Roughness: final granulation 120,
- 4x INOX M8/M10 wing nuts fitted underneath,
- Rubber/INOX feet to adapt to uneven ground,
- INOX hinges, shape on request
- Protection: UV resistant paint/natural wood oil
- Optional: lock

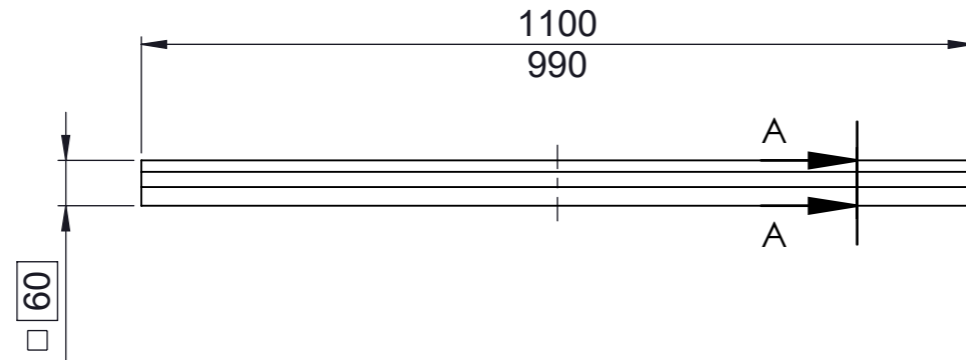
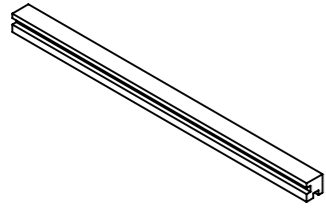
11	4	/	Rubber Foot PHI50/M10	Part
10	2	/	Door 990x450x60	Assembly
9	1	/	Bar 60x60x1100	Part
8	4	/	Slat (first) 60x25x536	Part
7	5	/	Slat (first) 60x25x940	Part
6	1	/	Bar 60x60x1100	Part
5	26	/	Slat 60x25x536	Part
4	19	/	Slat 60x25x940	Part
3	4	/	Bar 60x60x536	Part
2	3	/	Bar 60x60x940	Part
1	2	/	Bar 60x60x1100	Part
Poz.	Kol.	Šifra	Naziv	ME

Florian's Workshop  
1000 Ljubljana

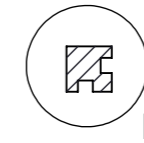
Project: Garden Closet 1130x1030x626  
 Scale: 1 : 10  
 Made by: Remšak F.  
 Date: 26.12.2022  
 Page: 1/ 6

PARTS (1/2)

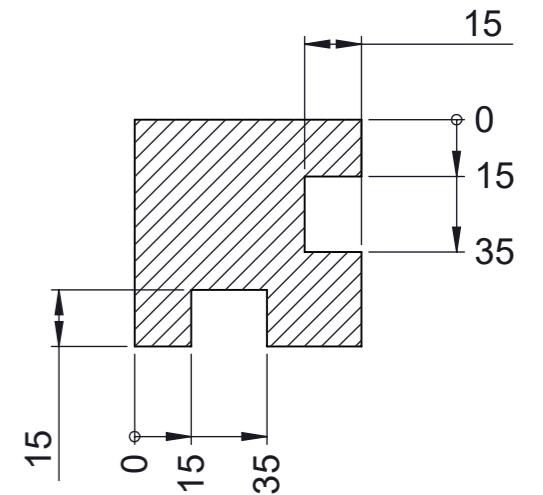
- Bar  
 - 60x60x1100 Pos. 1, 2 pcs.  
 - 60x60x990, Pos. 1 (door), 4 pcs.



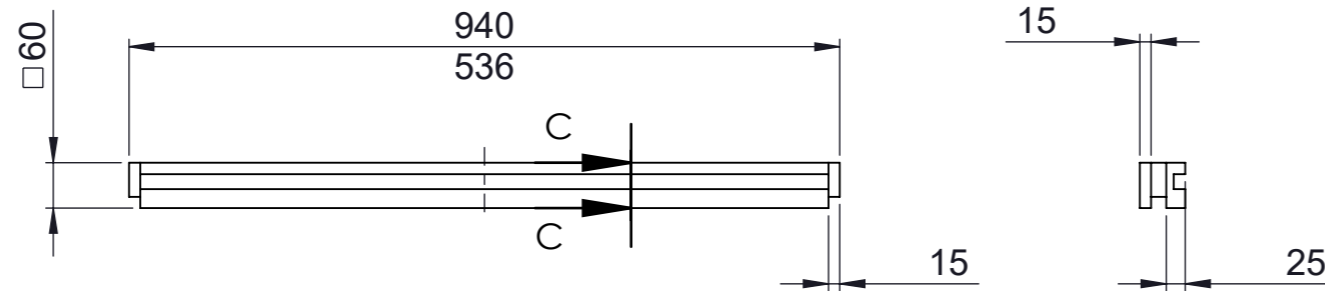
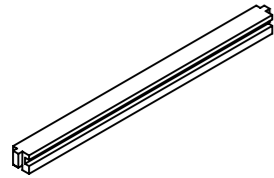
A-A  
(1 : 10)



Detail B  
(1 : 2)

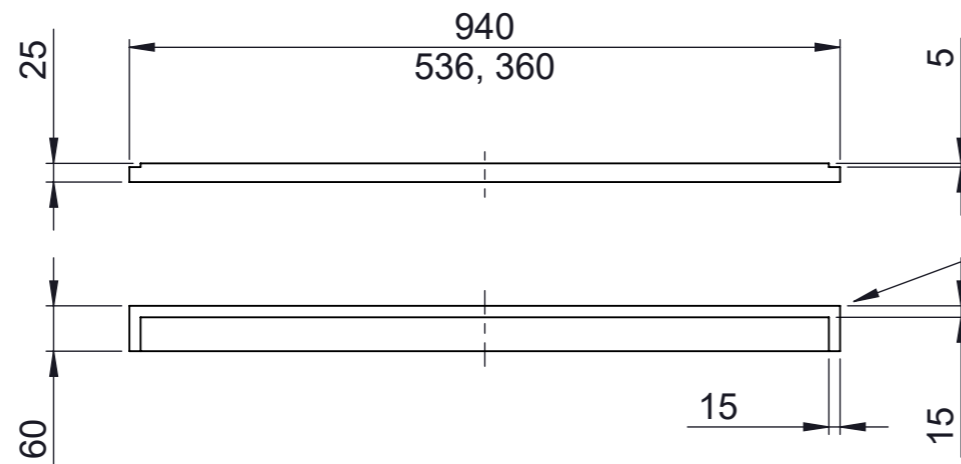
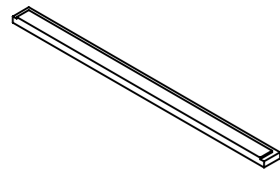


- Corner bar  
 - 60x60x940, Pos. 2, 3 pcs.  
 - 60x60x536, Pos. 3, 4 pcs.  
 - 60x60x360, Pos. 2 (door), 4 pcs.



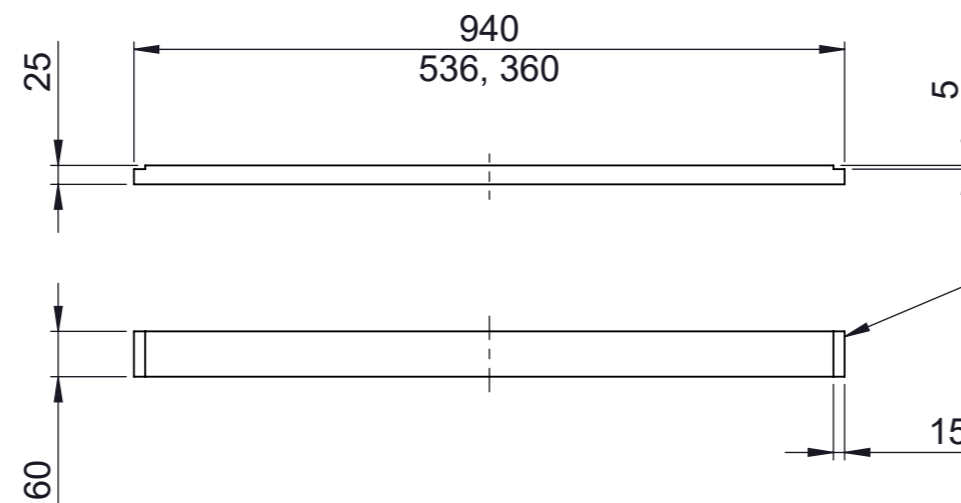
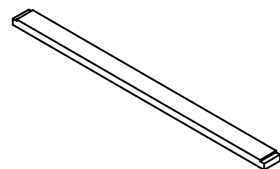
C-C  
(1 : 10)  
[same as A-A]

- Slat (first)  
 - 60x25x940, Pos. 7, 5 pcs.  
 - 60x25x536, Pos. 8, 4 pcs.  
 - 60x25x360, Pos. 4 (door), 2 pcs.



Groove 15 mm x 5 mm on three sides

- Slat  
 - 60x25x940, Pos. 4, 19 pcs.  
 - 60x25x536, Pos. 5, 26 pcs.  
 - 60x25x360, Pos. 3 (door), 12 pcs.

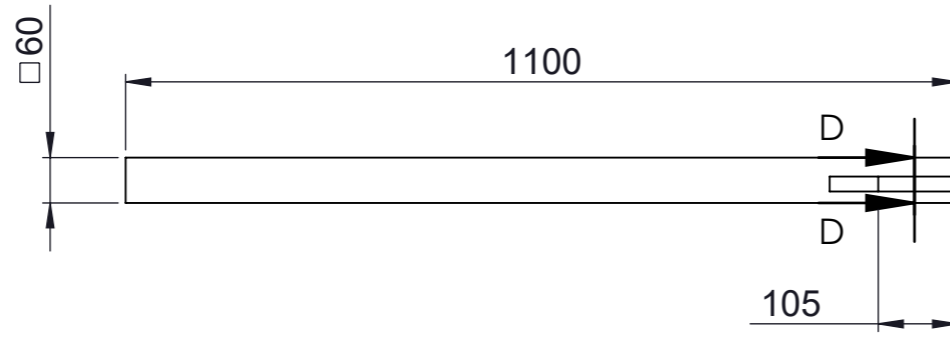
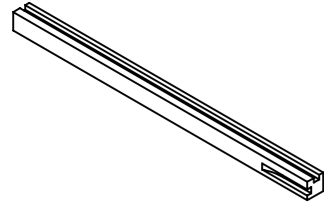


Groove 15 mm x 5 mm on the left and the right side

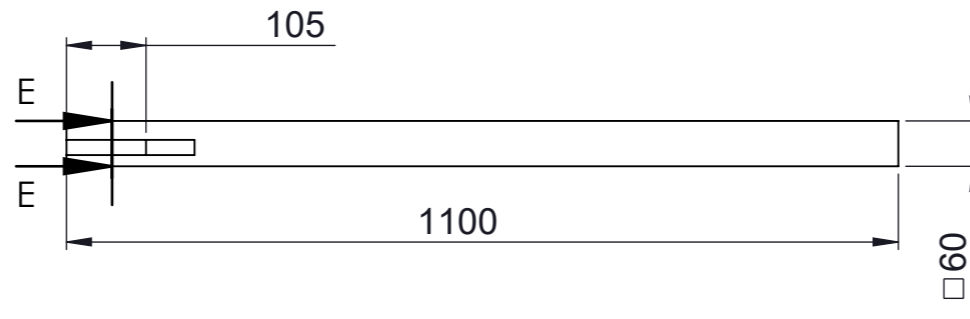
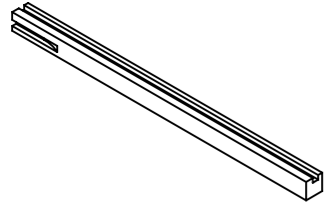
the four thirty-nine 1000 Ljubljana	Projekt:	Garden Closet 1130x1030x626
	Merilo:	1 : 10, (1:20), (1:2)
	Izdelal:	Remšak F.
	Datum:	26.12.2022
	Stran:	2/ 6

PARTS (2/2)

Corner profile 60x60x1100  
(Pos. 6), 1 pcs.



Corner profile 60x60x1100  
(Pos. 9), 1 pcs.



D-D  
(1:10)



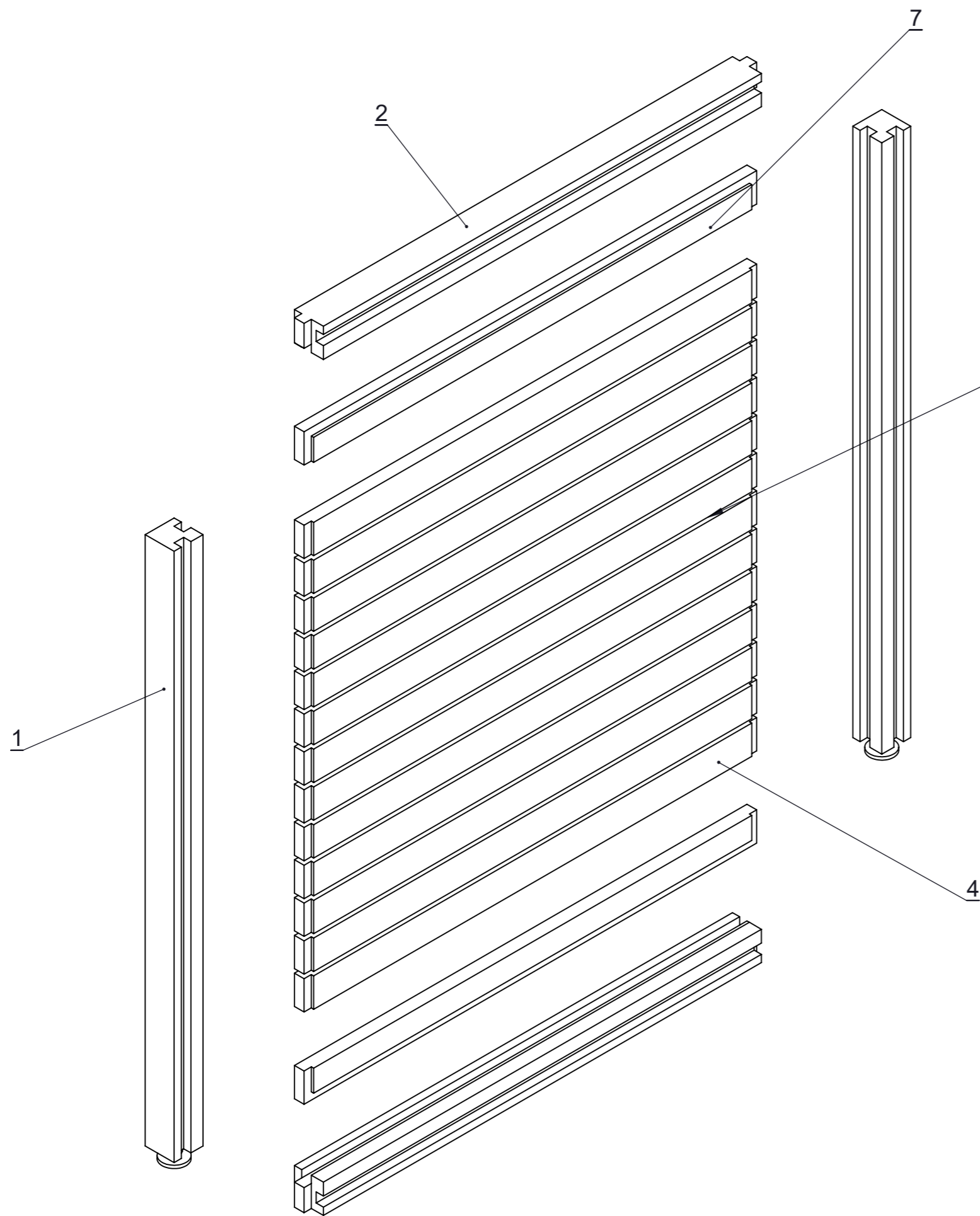
E-E  
(1:10)



The grooves are the same as on other corner profiles. They differ in that one of the grooves extends only 105 mm into the groove (to insert one slat).

Florian's Workshop 1000 Ljubljana	Project:	Garden Closet 1130x1030x626
	Scale:	1 : 10
	Made by:	Remšak F.
	Date:	26.12.2022
	Page:	3/ 6

# ASSEMBLYING THE FRAME



## NOTE:

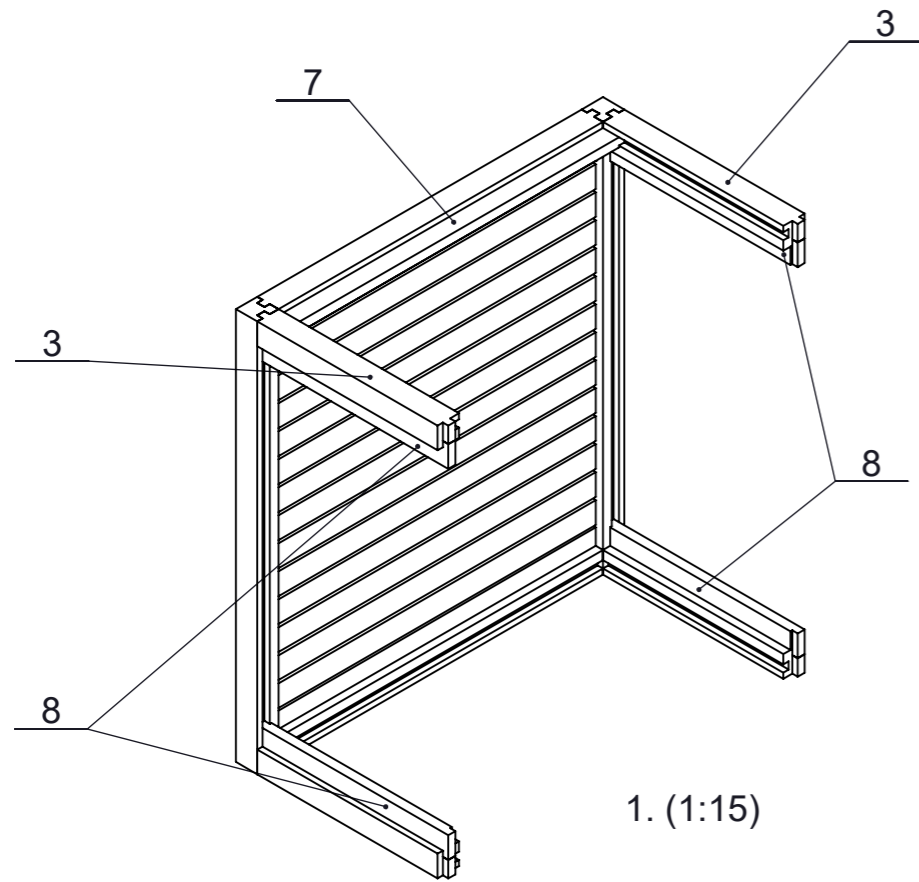
- The spacing between the slats is 8 mm. When assembling use spacers.
- The assembly shall not be screwed. At the contact points use waterproof wood glue.

11	4	/	Rubber Foot PHI50/M10	Part
10	2	/	Door 990x450x60	Assembly
9	1	/	Bar 60x60x1100	Part
8	4	/	Slat (first) 60x25x536	Part
7	5	/	Slat (first) 60x25x940	Part
6	1	/	Bar 60x60x1100	Part
5	26	/	Slat 60x25x536	Part
4	19	/	Slat 60x25x940	Part
3	4	/	Bar 60x60x536	Part
2	3	/	Bar 60x60x940	Part
1	2	/	Bar 60x60x1100	Part
Poz.	Kol.	Šifra	Naziv	ME

the four thirty-nine  
1000 Ljubljana

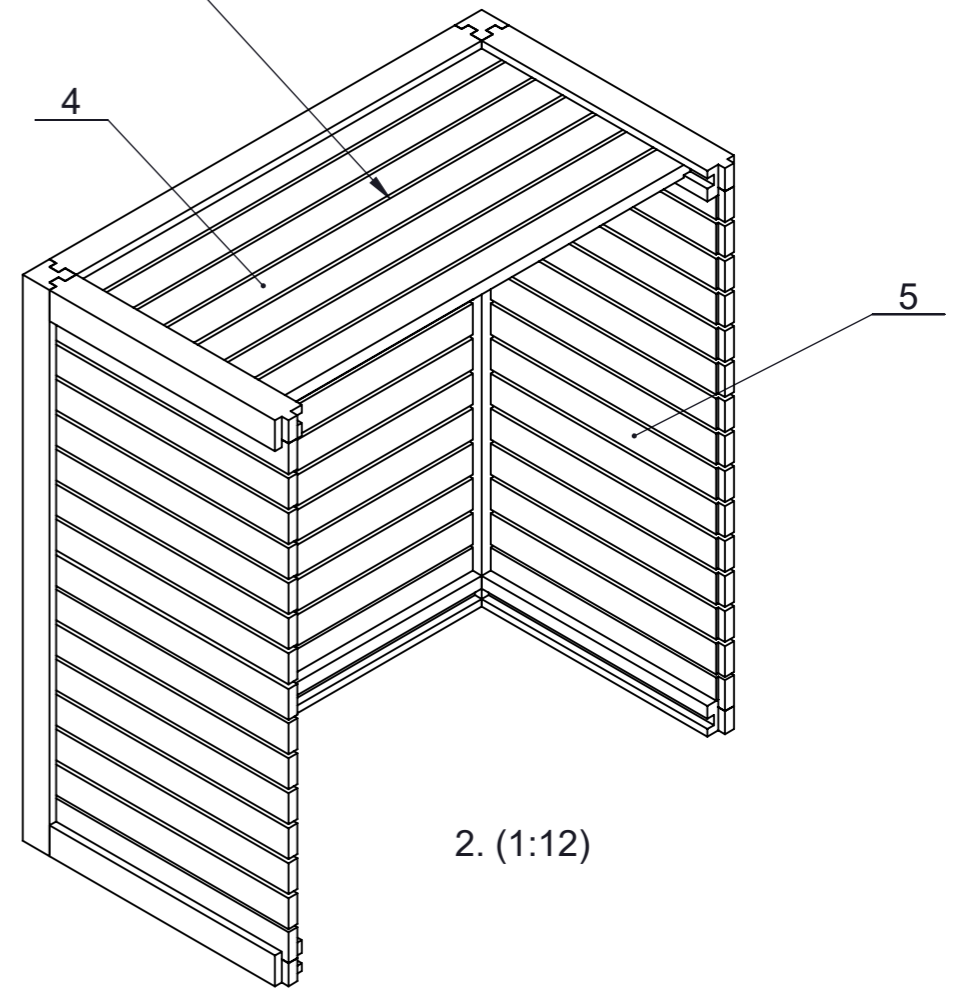
Projekt: Garden Closet 1130x1030x626  
 Merilo: 1 : 10  
 Izdelal: Remšak F.  
 Datum: 26.12.2022  
 Stran: 4/ 6

# ASSEMBLYING THE FRAME, ADDING SLATS

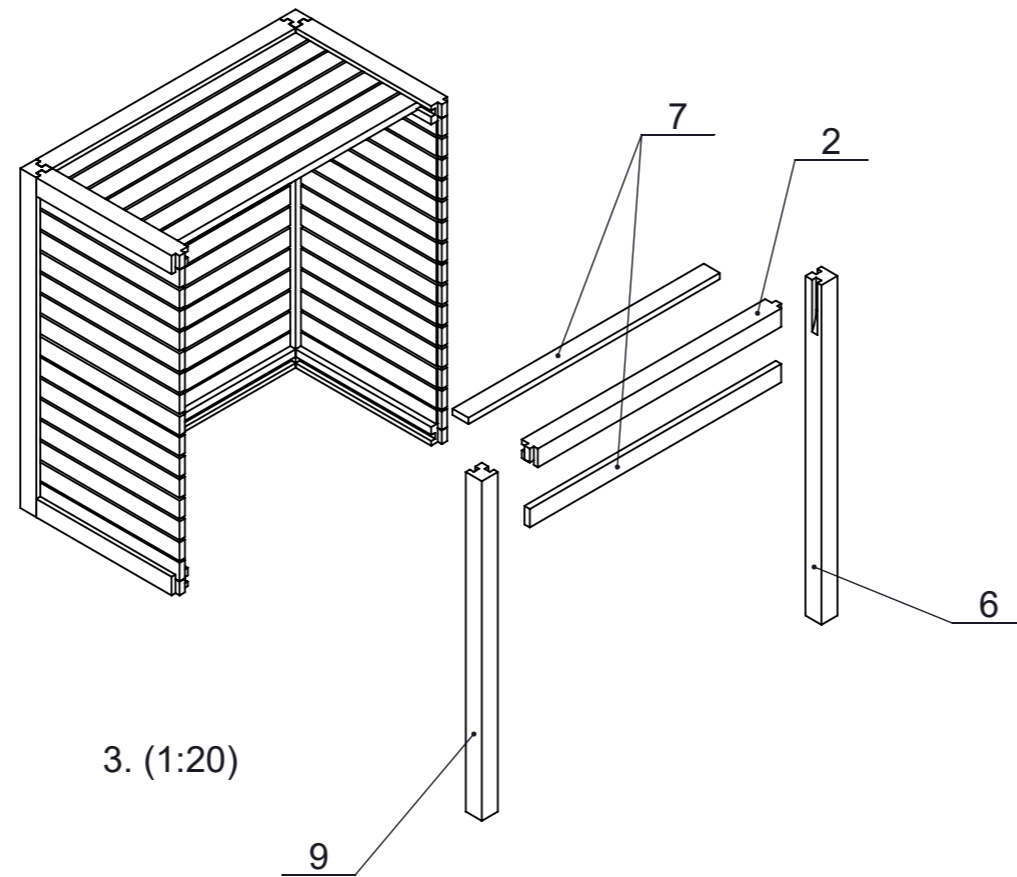


1. (1:15)

+ 6 slats, gap: 8 mm



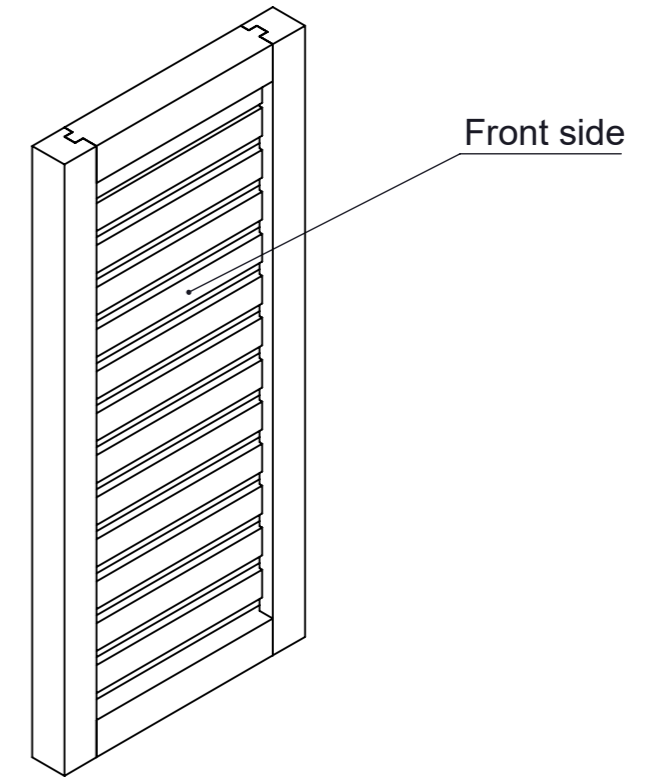
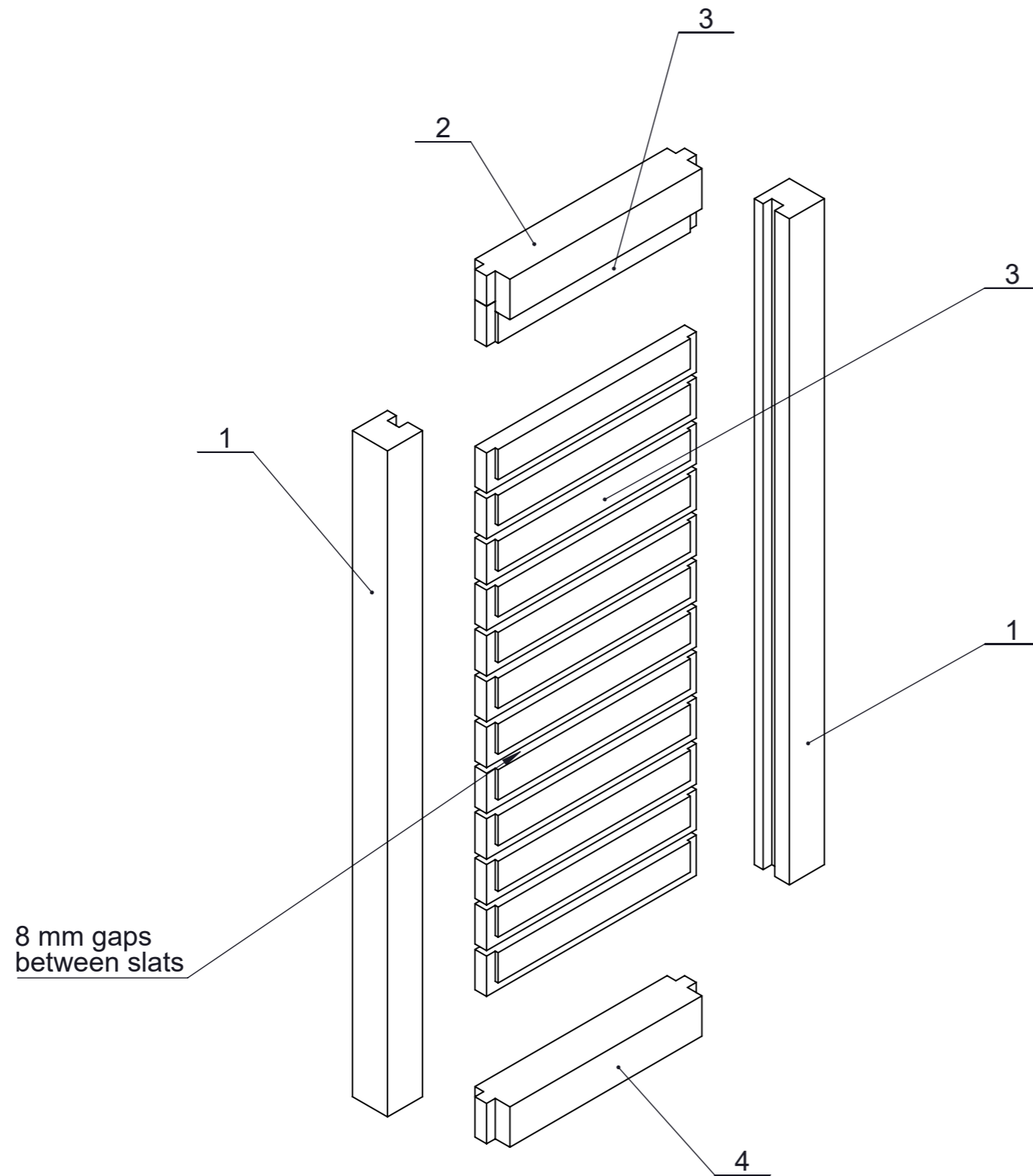
2. (1:12)



3. (1:20)

11	4	/	Rubber Foot PHI50/M10	Part
10	2	/	Door 990x450x60	Assembly
9	1	/	Bar 60x60x1100	Part
8	4	/	Slat (first) 60x25x536	Part
7	5	/	Slat (first) 60x25x940	Part
6	1	/	Bar 60x60x1100	Part
5	26	/	Slat 60x25x536	Part
4	19	/	Slat 60x25x940	Part
3	4	/	Bar 60x60x536	Part
2	3	/	Bar 60x60x940	Part
1	2	/	Bar 60x60x1100	Part
Pos.	Qty.	PartNo.	Description	ME

DOORS 990x450x60



4	1	/	Bar 60x60x360	Part
3	13	/	Slat (first) 60x25x360	Part
2	1	/	Bar 60x60x360	Part
1	2	/	Bar 60x60x990	Part
Pos.	Qty.	PartNo.	Description	ME

Florian's Workshop 1000 Ljubljana	Project:	Garden Closet 1130x1030x626
	Scale:	1 : 10
	Made by:	Remšak F.
	Date:	26.12.2022
	Page:	6/ 6